

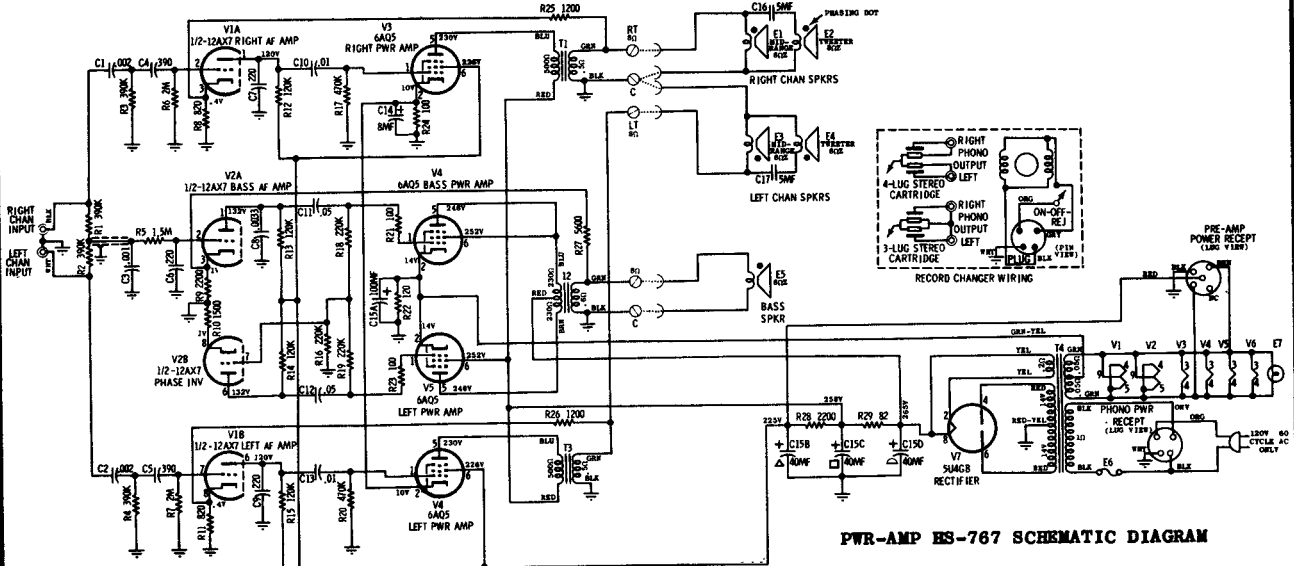
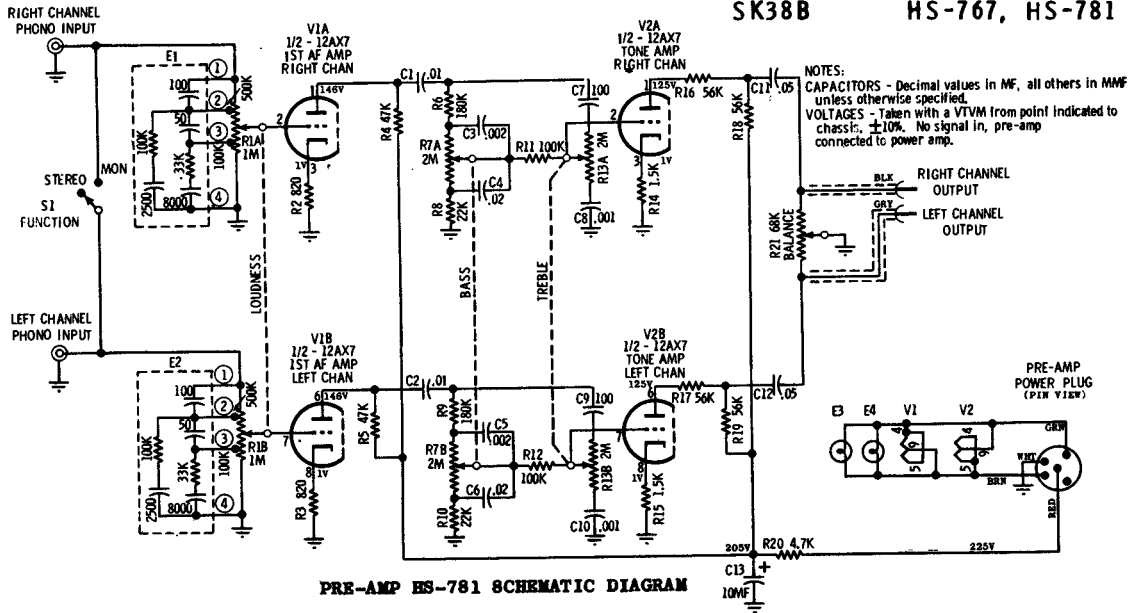
MOTOROLA

MODELS

CHASSIS

SK36M
SK37CW
SK38B

HS-767, HS-781
HS-767, HS-781
HS-767, HS-781



TYPE - Console, three channel stereophonic phonographs containing four-speed record changers and multiple speaker systems. The models differ from each other primarily in cabinet design.

PRE-AMP CHASSIS REMOVAL

1. Remove control knobs, cabinet back cover and sounding board located inside cabinet at base of record changer; board is held in place by 4 machine screws.

2. Disconnect all pre-amp connecting leads and remove pre-amp; pre-amp is held in place by 2 hex nuts.

POWER AMP CHASSIS REMOVAL

Remove cabinet back cover, disconnect all power amp chassis connecting leads, remove 6 power amp mounting machine screws and remove power amp chassis.

RECORD CHANGER REMOVAL

1. Turn the 2 changer mounting screws clockwise down flush with the changer base.
2. Remove cabinet back cover, then disconnect all cables to record changer.
3. Turn the mounting clips, located at the ends of the mounting screws so they are parallel with the mounting screws, then lift changer out of cabinet.

SPEAKER PHASING

THE SPEAKERS MUST BE IN PHASE OR A LOSS OF MID-RANGE FREQUENCIES WILL RESULT. Phasing can be checked by momentarily connecting a 1-1/2 volt flashlight battery in parallel with the speaker connecting leads (temporarily short across capacitors in cross-over networks) and noting if all speaker cones move in the same direction (with the same polarity reference voltage applied to all three speaker systems). If they do not, reverse the connections of the speaker whose cone is out of phase.